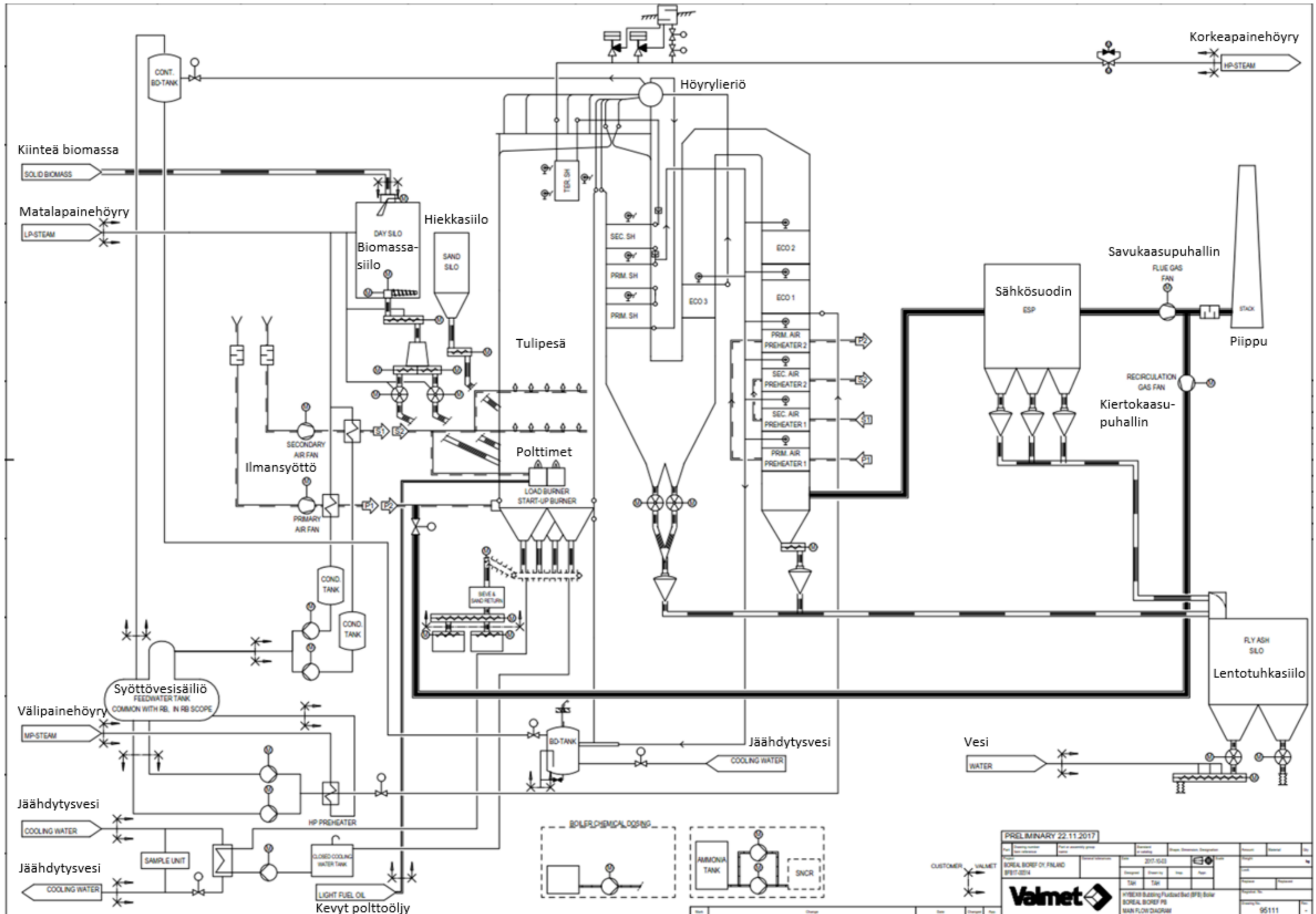


LIITE 16, BIOMASSAKATTILAN PROSESSIKAAVIO



PRELIMINARY 22.11.2017

Project Name	BOREAL BIREF OY FINLAND	Project No.	2017-10-01
Customer	VALMET	Revision	01
Project Location	BOREAL BIREF PB	Scale	1:1
Project No.	95111	Scale	1:1

Valmet

HYBRID Bubbling Fluidized Bed (BF) Boiler
BOREAL BIREF PB
MAIN FLOW DIAGRAM